

Offset Shelf Small - 1 Tier

Philippe Malouin | 2021

The Offset Shelves are a premium storage and display unit, whose heavy duty silhouette highlights the beauty of solid oak.

The shelves have a unique playful element, with each vertical leg attaching via an adjustable off-centre threaded connector - enabling all legs to sit in an individualized position.



MATERIALS

Solid Oak

PRODUCT ENVIRONMENT

Indoor Use Only

CONTRACT USE

Yes

CERTIFICATION

FSC Certified Wood

WARRANTY

3 years

COUNTRY OF ORIGIN

Lithuania

CODE

OFS002N

OFS002U

PRODUCT

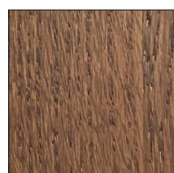
Offset Shelf Small Natural - 1 Tier

Offset Shelf Small Umber - 1 Tier

FINISHES

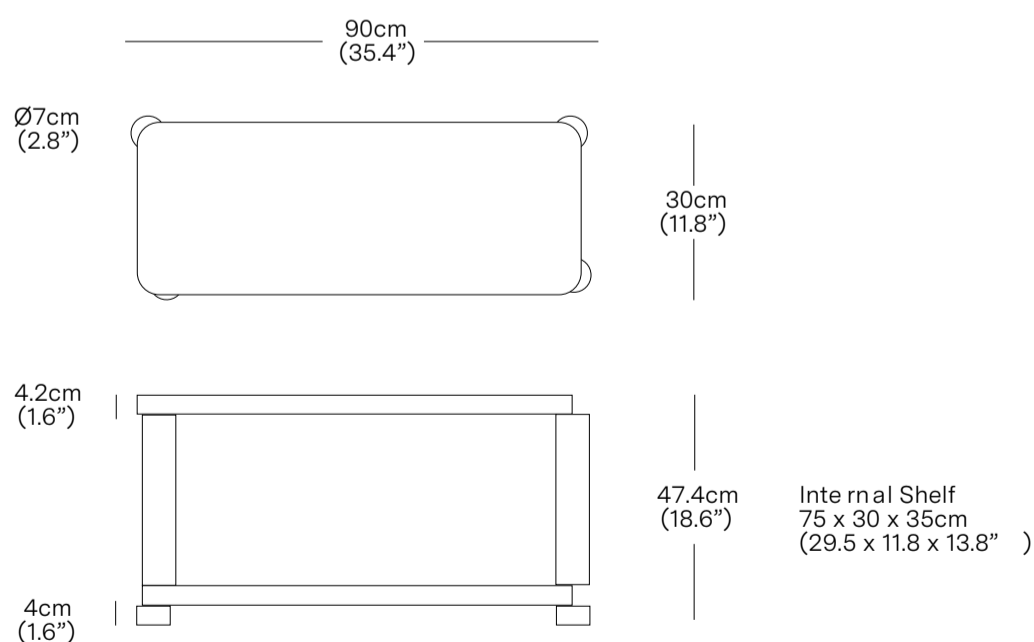
natural

umber



PRODUCT WEIGHT

20 kg (44.1 lbs)



PACKAGED DIMENSIONS

L x W x H	Cubage	Weight
Box 1 (shelves)		
106 x 40 x 21 cm	0.09 m3	18 kg
41.7 x 15.7 x 8.3 in	3.1 ft3	39.7 lbs
Box 2 (Uprights)		
48.5 x 40 x 25 cm	0.05 m3	4.5 kg
19.1 x 15.7 x 9.8 in	1.7 ft3	9.9 lbs
COMMODITY CODE	94036010	

* Components drawn in relative scale. Refer to CAD files for accurate drawings.

Offset Shelf Small - 2 Tier



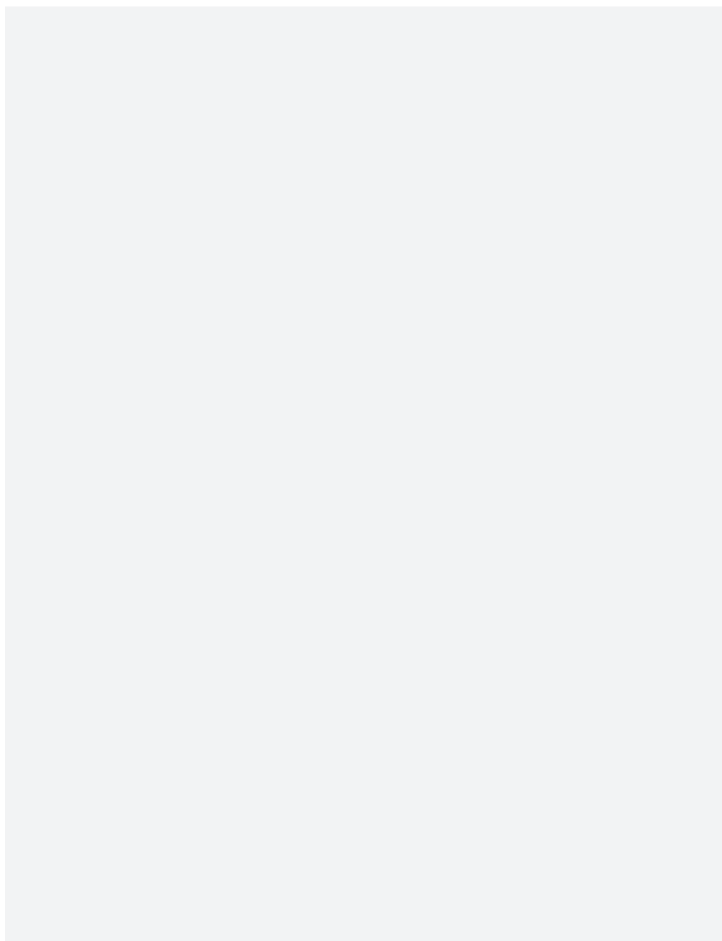
Philippe Malouin | 2021

The Offset Shelves are a premium storage and display unit, whose heavy duty silhouette highlights the beauty of solid oak.

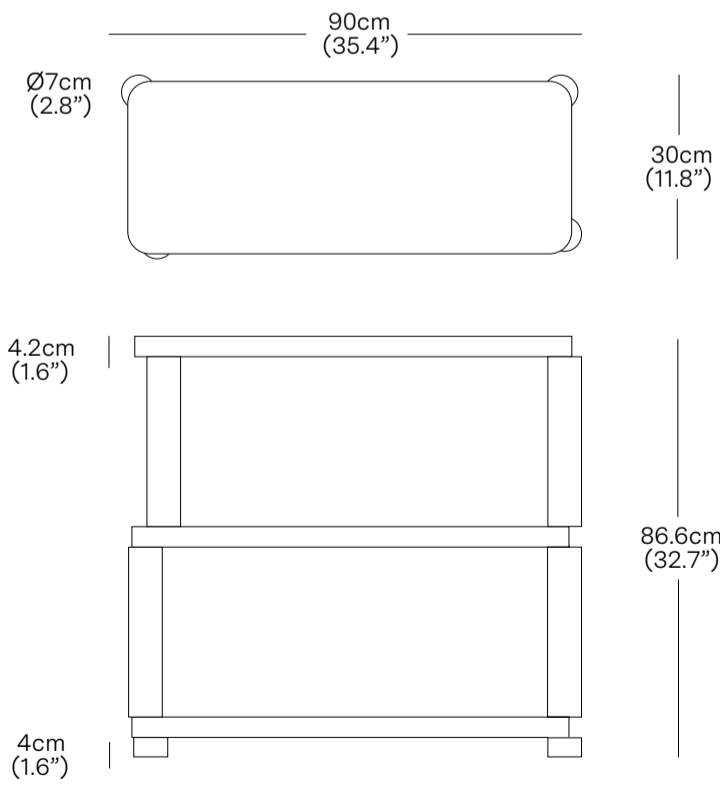
The shelves have a unique playful element, with each vertical leg attaching via an adjustable off-centre threaded connector - enabling all legs to sit in an individualized position.

MATERIALS	Solid Oak
PRODUCT ENVIRONMENT	Indoor Use Only
CONTRACT USE	Yes
CERTIFICATION	FSC Certified Wood
WARRANTY	3 years
COUNTRY OF ORIGIN	Lithuania

CODE	PRODUCT
OFS003N	Offset Shelf Small Natural - 2 Tiers
OFS003U	Offset Shelf Small Umber - 2 Tiers



FINISHES	PRODUCT WEIGHT
natural umber	33.1 kg (73.0 lbs)



Internal Shelf
75 x 30 x 35cm
(29.5 x 11.8 x 13.8")

PACKAGED DIMENSIONS		
L x W x H	Cubage	Weight
Box 1 (shelves)		
100 x 40 x 12 cm	0.05 m3	26 kg
39.4 x 15.7 x 4.7 in	1.7 ft3	57.3 lbs
Box 2 (Uprights)		
53 x 75 x 16 cm	0.06 m3	9 kg
20.9 x 29.5 x 6.3 in	2.2 ft3	19.8 lbs
COMMODITY CODE	94036010	

* Components drawn in relative scale. Refer to CAD files for accurate drawings.

Offset Shelf Large - 1 Tier



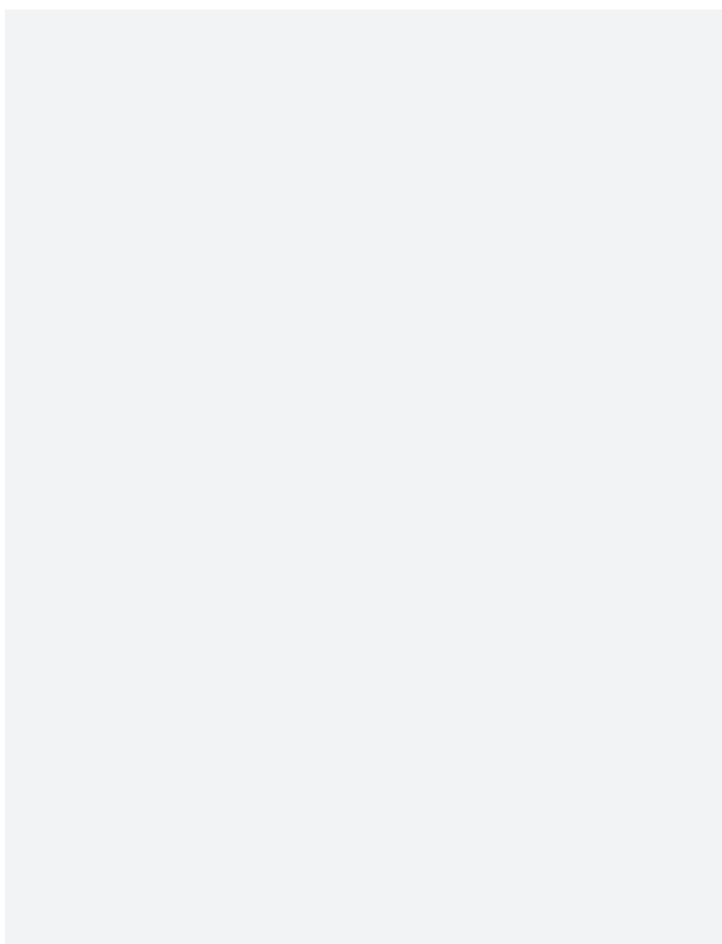
Philippe Malouin | 2021

The Offset Shelves are a premium storage and display unit, whose heavy duty silhouette highlights the beauty of solid oak.

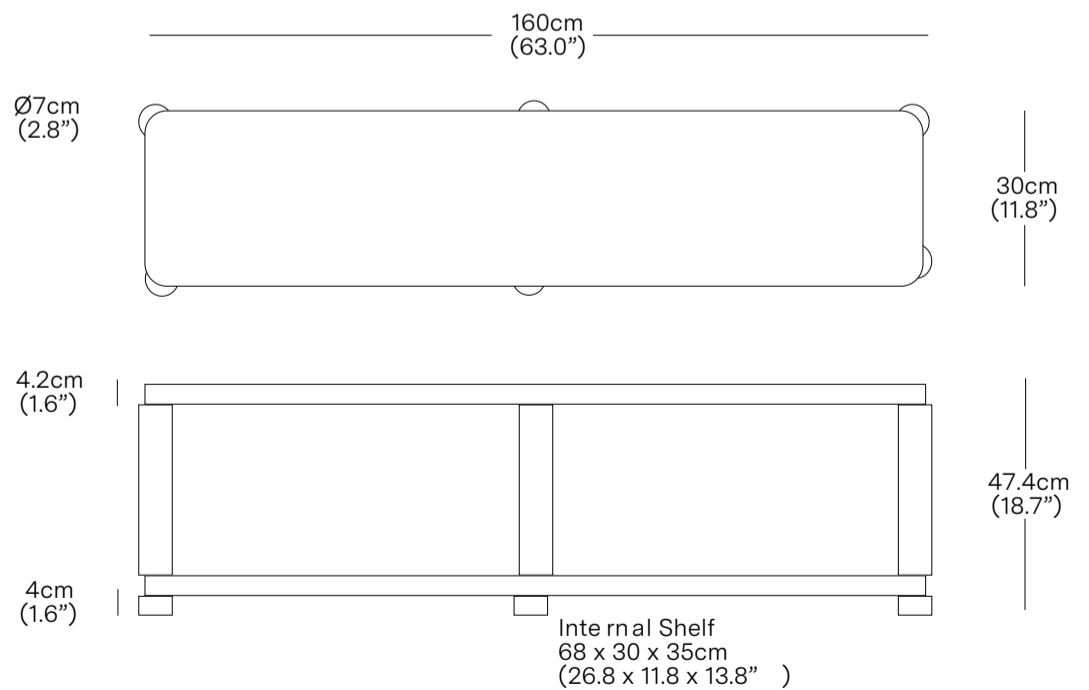
The shelves have a unique playful element, with each vertical leg attaching via an adjustable off-centre threaded connector - enabling all legs to sit in an individualized position.

MATERIALS
Solid Oak
PRODUCT ENVIRONMENT
Indoor Use Only
CONTRACT USE
Yes
CERTIFICATION
FSC Certified Wood
WARRANTY
3 years
COUNTRY OF ORIGIN
Lithuania

CODE	PRODUCT
OFS004N	Offset Shelf Large Natural - 1 Tier
OFS004U	Offset Shelf Large Umber - 1 Tier



FINISHES	PRODUCT WEIGHT
natural umber	34 kg (75.0 lbs)



PACKAGED DIMENSIONS		
L x W x H	Cubage	Weight
Box 1 (shelves)		
200 x 40 x 12 cm	0.1 m3	30 kg
78.7 x 15.7 x 4.7 in	3.4 ft3	66.1 lbs
Box 2 (Uprights)		
53 x 75 x 16 cm	0.06 m3	7 kg
20.9 x 29.5 x 6.3 in	2.2 ft3	15.4 lbs
COMMODITY CODE	94036010	

* Components drawn in relative scale. Refer to CAD files for accurate drawings.

Offset Shelf Large - 2 Tier



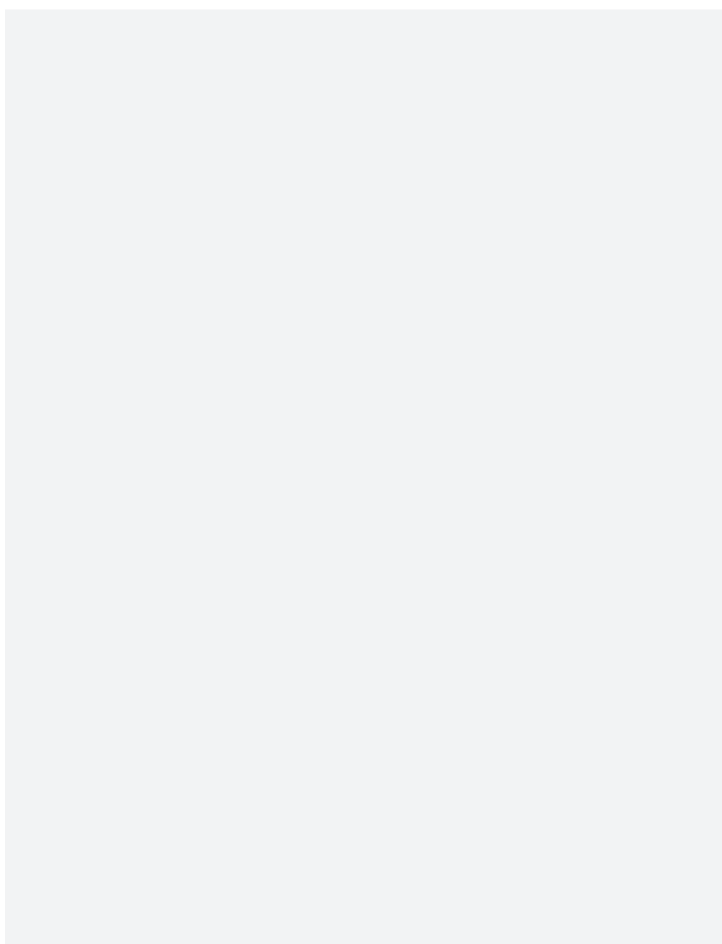
Philippe Malouin | 2021

The Offset Shelves are a premium storage and display unit, whose heavy duty silhouette highlights the beauty of solid oak.

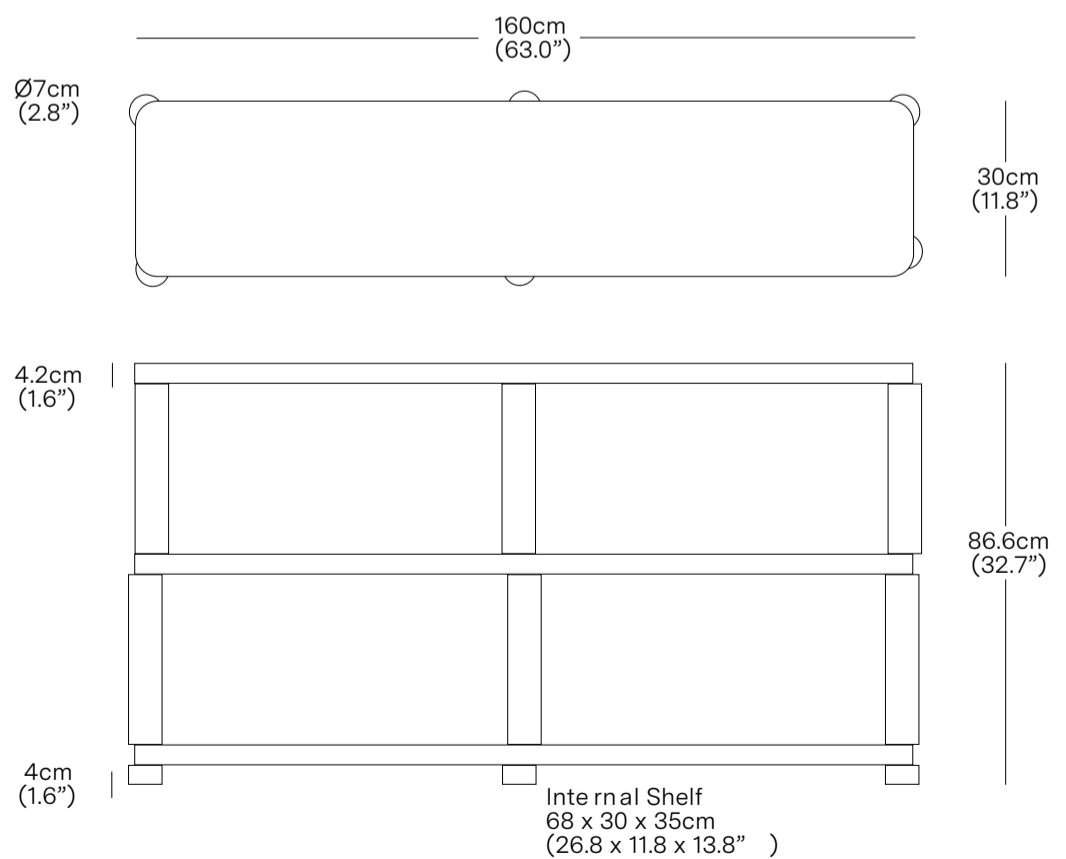
The shelves have a unique playful element, with each vertical leg attaching via an adjustable off-centre threaded connector - enabling all legs to sit in an individualized position.

MATERIALS
Solid Oak
PRODUCT ENVIRONMENT
Indoor Use Only
CONTRACT USE
Yes
CERTIFICATION
FSC Certified Wood
WARRANTY
3 years
COUNTRY OF ORIGIN
Lithuania

CODE	PRODUCT
OFS005N	Offset Shelf Large Natural - 2 Tiers
OFS005U	Offset Shelf Large Umber - 2 Tiers



FINISHES	PRODUCT WEIGHT
natural umber	54.7 kg (120.6 lbs)



PACKAGED DIMENSIONS		
L x W x H	Cubage	Weight
Box 1 (shelves)		
176 x 38.5 x 21 cm	0.14 m3	45.5 kg
69.3 x 15.2 x 8.3 in	5.0 ft3	100.3 lbs
Box 2 (Uprights)		
50 x 40 x 34 cm	0.07 m3	13.1 kg
19.7 x 15.7 x 13.4 in	2.4 ft3	28.9 lbs
COMMODITY CODE	94036010	

* Components drawn in relative scale. Refer to CAD files for accurate drawings.