

# Pier Chair



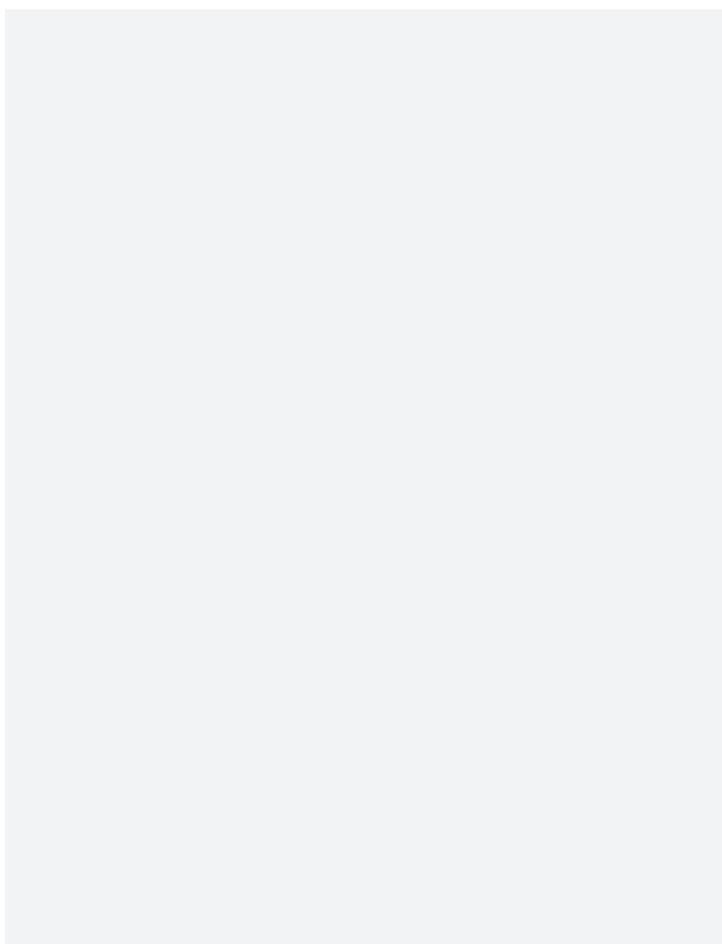
Leonard Kadid | 2020

The Pier Chair is inspired by the straight, weighty cylindrical pillars of pier structures. Made entirely from solid oak, the dining chair is composed using only mortise and tenon joints, allowing the wood fibres to run continuously throughout, giving the piece sustained durability.

Pier's solid oak seat and backrest are precisely carved by CNC to create a comfortable seating position. Easily stackable, the Pier Chair has a strong yet refined presence that suits a range of domestic and commercial interiors.

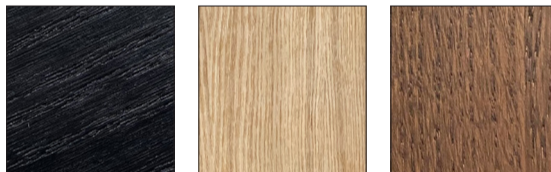
<b>MATERIALS</b>
Solid Oak
<b>PRODUCT ENVIRONMENT</b>
Indoor Use Only
<b>CONTRACT USE</b>
Yes
<b>CERTIFICATION</b>
FSC Certified Wood
<b>WARRANTY</b>
3 years
<b>COUNTRY OF ORIGIN</b>
Lithuania

<b>CODE</b>	<b>PRODUCT</b>
PIE001B	Pier Chair - Black
PIE001N	Pier Chair - Natural
PIE001U	Pier Chair - Umber



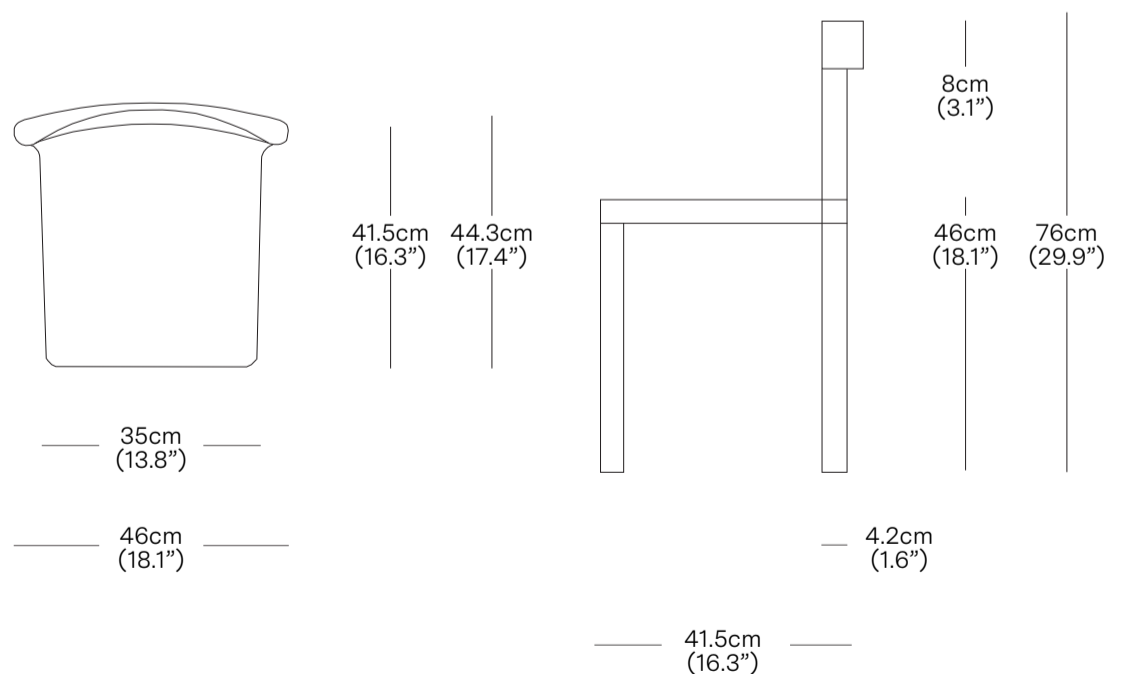
## FINISHES

black      natural      umber



## PRODUCT WEIGHT

8.2 kg (18.1 lbs)



<b>PACKAGED DIMENSIONS</b>		
<b>L x W x H</b>	<b>Cubage</b>	<b>Weight</b>
Box 1 (Qty 2)		
49 x 54 x 95 cm	0.25 m <sup>3</sup>	19.5 kg
19.3 x 21.3 x 37.4 in	8.9 ft <sup>3</sup>	43.0 lbs
<b>COMMODITY CODE</b>	94036010	

\* Components drawn in relative scale. Refer to CAD files for accurate drawings.