

# Isabella Chair



Simon James | 2018

The Isabella Chair is an exercise in the play-off of proportions. Its ultra-slim three-legged steel base provides robust support and acts as a deliberate variant against the gracefully rounded tailored back and plump softness of the seating cushion.

An occasional or statement piece with a refined modern look, which gives the user a generous space in which to sit and relax.

In the home, a place to read or contemplate, and in the commercial space, an ideal waiting or conversation chair.

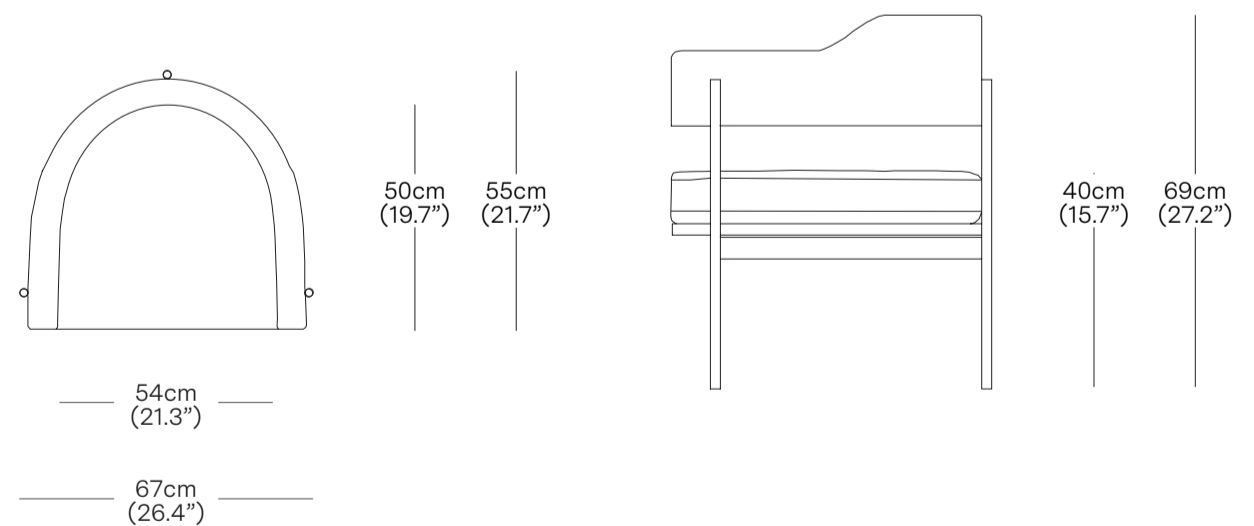
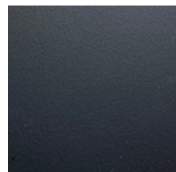
<b>MATERIALS</b>	Upholstered MDF and Foam, Steel
<b>PRODUCT ENVIRONMENT</b>	Indoor Use Only
<b>CONTRACT USE</b>	Yes
<b>CERTIFICATION</b>	CAL 117-2013, BS 5852 Crib 5*, EN 1021-1 EN 1021-4
<b>WARRANTY</b>	3 years
<b>COUNTRY OF ORIGIN</b>	UK / USA / AUS / NZ

<b>CODE</b>	<b>PRODUCT</b>
ISA001	Isabella Chair

<b>CATEGORY</b>	<b>PRODUCT</b>
1	Maharam Mode / Messenger / COM
2	Camira Synergy / Mainline Flax
3	Kvadrat Hallingdal 65 / Sorensen Envy
4	Sorensen Royal Nubuck / Maharam Mohair Supreme

<b>UPHOLSTERY USAGE</b>
COM
2.5 m (2.75 yd)
COL
4.3 m <sup>2</sup> (46.5 ft <sup>2</sup> )
<b>UPHOLSTERY DETAILS</b>
Refer to upholstery fabric & leather document

<b>FINISHES</b>	<b>PRODUCT WEIGHT</b>
black base	14.0 kg (30.9 lbs)



<b>PACKAGED DIMENSIONS</b>		
L x W x H	Cubage	Weight
Box 1		
65 x 76 x 78 cm	0.39 m <sup>3</sup>	19.0 kg
25.6 x 29.9 x 30.7 in	13.6 ft <sup>3</sup>	41.9 lbs
<b>COMMODITY CODE</b>	94017100	

\* Components drawn in relative scale. Refer to CAD files for accurate drawings.