

# Spar Floor Light



Jamie McLellan | 2011

Resident's first product to launch and now an iconic recognised design staple, Spar is a large cantilevered floor light that takes inspiration from the mast arrangements of classic sailing boats.

With a simple two-dimensional silhouette that relies on a tensioned electrical cable for support, it has a spun aluminium shade that rotates 360 degrees allowing for the light-source to be directed accordingly.

## MATERIALS

Aluminium, Steel

## PRODUCT ENVIRONMENT

Indoor Use Only

## CONTRACT USE

Yes

## CERTIFICATION

CE, RCM

## WARRANTY

3 years

## COUNTRY OF ORIGIN

China

## CODE

SPF001B

SPF001R

## PRODUCT

Spar Light - Black

Spar Light - Red

## LIGHT SOURCE

UK&EUR E27 LED Bulb, USA E26 LED Bulb

## VOLTAGE

UK&EUR 220-240V, USA 120V

## POWER USAGE

6W (40W equiv)

## LUMENS

470lm

## COLOUR TEMP

2700k

## CRI

90

## LIFESPAN

15,000 Hrs

## CABLE

155 cm (61 in)

## DIMMING

Non-dimmable and comes with a prewired in line on/off switch.

## FINISHES

black

red

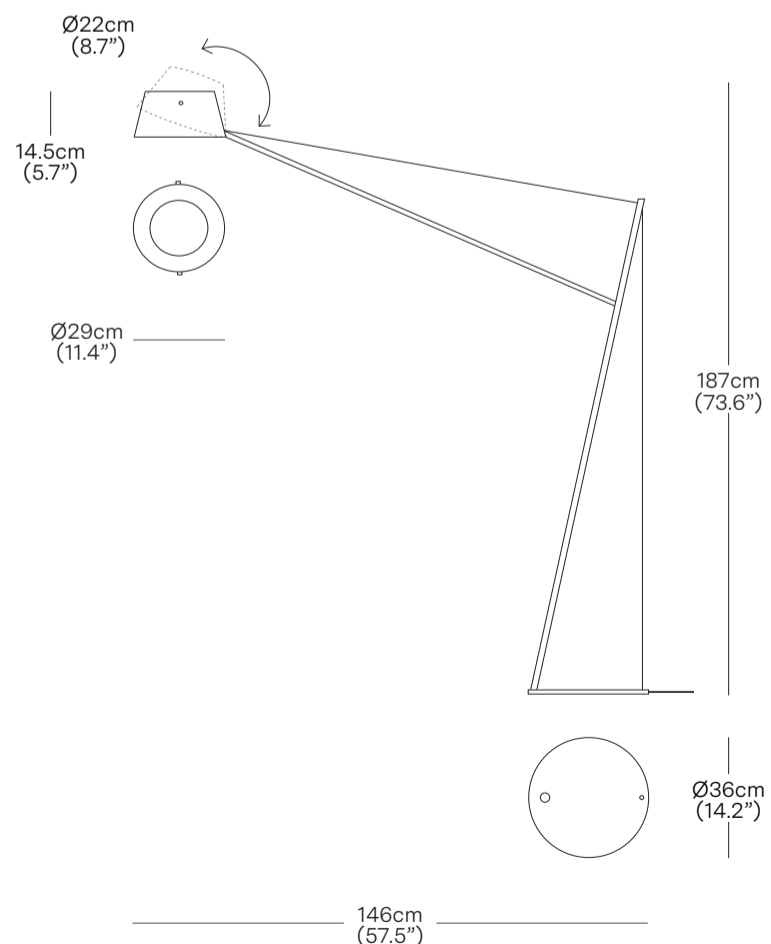


## PRODUCT WEIGHT

12.2 kg (26.9 lbs)

## PACKAGED DIMENSIONS

L x W x H	Cubage	Weight
<b>Base &amp; Shade</b>		
23 x 45 x 44cm	0.05 m3	10.2 kg
9.1 x 17.7 x 17.3 in	1.77 ft3	22.5 lbs
<b>Arm</b>		
10 x 154 x 4.5cm	0.01 m3	3.9 kg
3.9 x 60.6 x 1.77 in	0.35 ft3	8.6 lbs
<b>COMMODITY CODE</b>	9405423990	



\* Components drawn in relative scale. Refer to CAD files for accurate drawings.

**Resident**