

Jiro Swivel Chair



John Tree | 2020

The Jiro Swivel Chair challenges traditional workplace seating by offering maximum comfort with minimalist design elements.

A finely balanced oak construction with a 4 star die-cast base provides ergonomic, dynamic and responsive support in a design that is as comfortable in a home office as it is in the boardroom.

Jiro is offered in a variety of configurations that include: casters, height adjustable gas lift and upholstered seat pads, making Jiro the ultimate seating solution for a variety of dynamic locations.

MATERIALS

Aluminium, Oak Veneer

PRODUCT ENVIRONMENT

Indoor Use Only

CONTRACT USE

Yes

CERTIFICATION

FSC Certified Wood

WARRANTY

5 years

COUNTRY OF ORIGIN

Hungary

CODE

JIR001NB

JIR001BB

JIR001NW

JIR001BW

PRODUCT

Jiro Swivel Chair - Natural with Black Base

Jiro Swivel Chair - Black with Black Base

Jiro Swivel Chair - Natural with White Base

Jiro Swivel Chair - Black with White Base

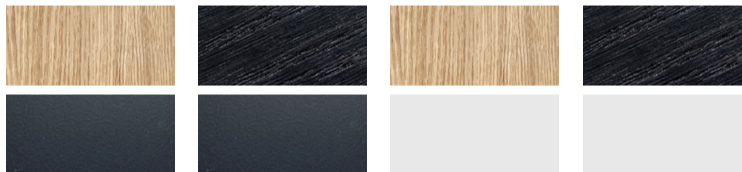
FINISHES

natural/black

black/black

natural/white

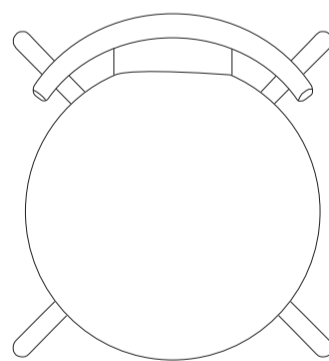
black/white



PRODUCT WEIGHT

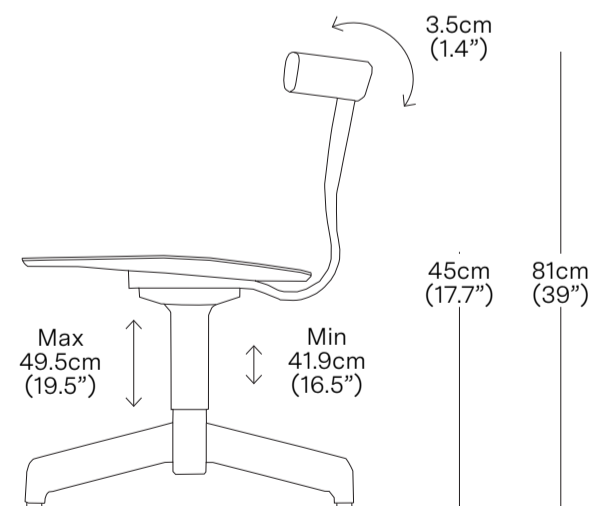
7.4 kg (16.3 lbs)

Diagonal base width 67.5cm (26.1")



43.5cm
(21.1")

48.5cm
(19.1")



Max
49.5cm
(19.5")

Min
41.9cm
(16.5")

45cm
(17.7")

81cm
(39")

41.5cm
(16.3")

51cm
(20.1")

PACKAGED DIMENSIONS

L x W x H	Cubage	Weight
Box 1		
53 x 53 x 80 cm	0.22 m ³	9.4 kg
20.9 x 20.9 x 31.5 in	7.9 ft ³	20.7 lbs

COMMODITY CODE

94033000

* Components drawn in relative scale. Refer to CAD files for accurate drawings.

Resident

Jiro Swivel Chair - Upholstered



John Tree | 2020

The Jiro Swivel Chair challenges traditional workplace seating by offering maximum comfort with minimalist design elements.

A finely balanced oak construction with a 4 star die-cast base provides ergonomic, dynamic and responsive support in a design that is as comfortable in a home office as it is in the boardroom.

Jiro is offered in a variety of configurations that include: casters, height adjustable gas lift and upholstered seat pads, making Jiro the ultimate seating solution for a variety of dynamic locations.

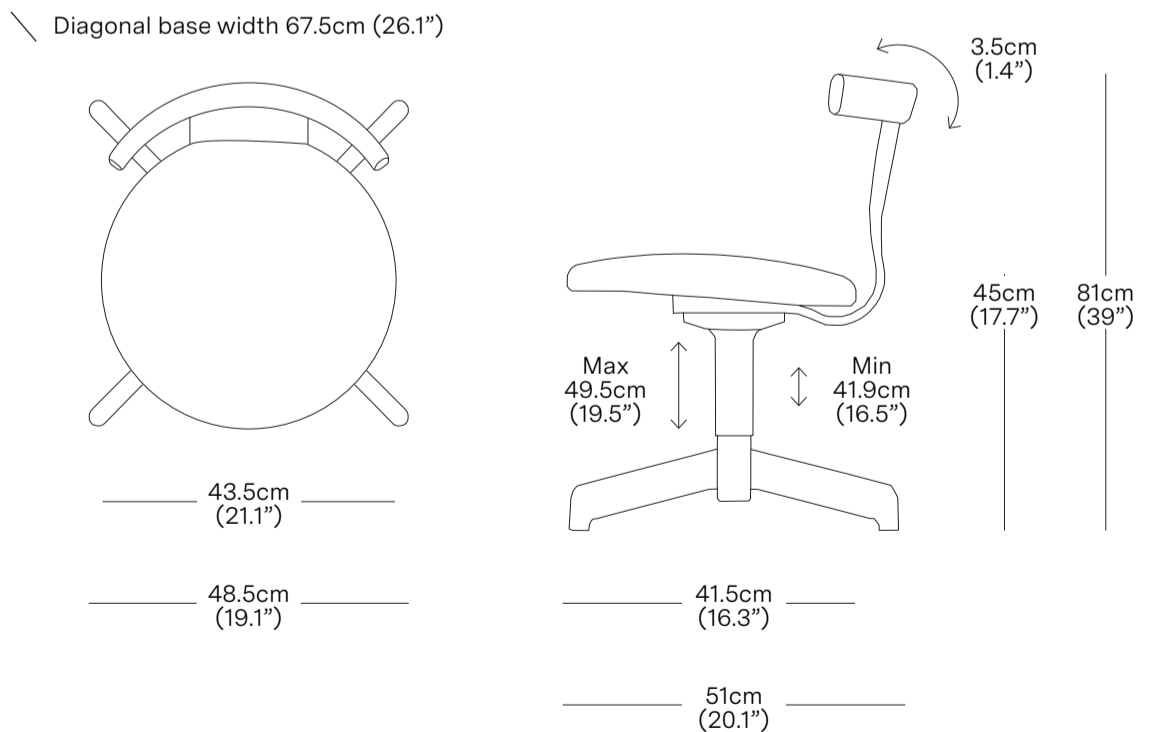
MATERIALS	Aluminium , Oak Veneer, Upholstered Foam Pad
PRODUCT ENVIRONMENT	Indoor Use Only
CONTRACT USE	Yes
CERTIFICATION	CAL 117-2013, BS 5852 Crib 5*, EN 1021-1 EN 1021-5, FSC Certified Wood
WARRANTY	5 years
COUNTRY OF ORIGIN	Hungary

CODE	PRODUCT
JIR001NBU	Jiro Swivel Chair - Natural with Black Base
JIR001BWU	Jiro Swivel Chair - Black with Black Base
JIR001NWU	Jiro Swivel Chair - Natural with White Base
JIR001BWU	Jiro Swivel Chair - Black with White Base

CATEGORY	PRODUCT
1	Maharam Mode / COM
2	Camira Synergy / Mainline Flax
3	Kvadrat Hallingdal 65 / Sorensen Envy

UPHOLSTERY USAGE	COM
	0.7 m (0.8 yd)
COL	1.2 m2 (12.9 ft2)

FINISHES	PRODUCT WEIGHT
natural/black black/black natural/white black/white	7.4 kg (16.3 lbs)



PACKAGED DIMENSIONS		
L x W x H	Cubage	Weight
Box 1		
53 x 53 x 80 cm	0.22 m3	9.4 kg
20.9 x 20.9 x 31.5 in	7.9 ft3	20.7 lbs
COMMODITY CODE	94033000	

* Components drawn in relative scale. Refer to CAD files for accurate drawings.

Jiro Swivel Chair with Casters

John Tree | 2020

The Jiro Swivel Chair challenges traditional workplace seating by offering maximum comfort with minimalist design elements.

A finely balanced oak construction with a 4 star die-cast base provides ergonomic, dynamic and responsive support in a design that is as comfortable in a home office as it is in the boardroom.

Jiro is offered in a variety of configurations that include: casters, height adjustable gas lift and upholstered seat pads, making Jiro the ultimate seating solution for a variety of dynamic locations.



MATERIALS

Aluminium, Oak Veneer

PRODUCT ENVIRONMENT

Indoor Use Only

CONTRACT USE

Yes

CERTIFICATION

FSC Certified Wood

WARRANTY

5 years

COUNTRY OF ORIGIN

Hungary

CODE

JIR001NBC

JIR001BBC

JIR001NWC

JIR001BWC

PRODUCT

Jiro Swivel Chair - Natural with Black Base

Jiro Swivel Chair - Black with Black Base

Jiro Swivel Chair - Natural with White Base

Jiro Swivel Chair - Black with White Base

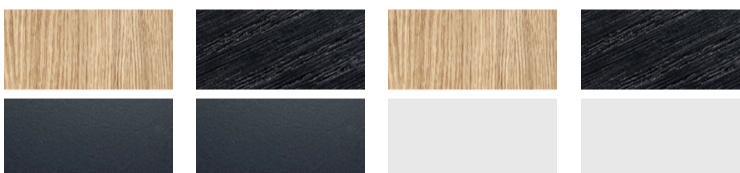
FINISHES

natural/black

black/black

natural/white

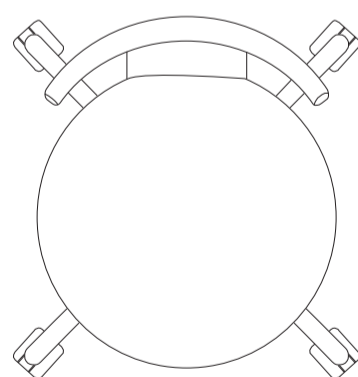
black/white



PRODUCT WEIGHT

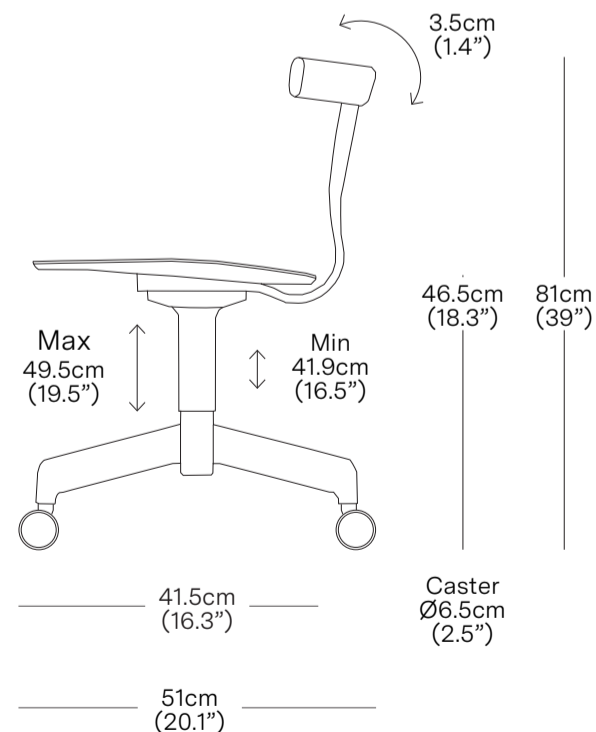
8.0 kg (17.6 lbs)

Diagonal base width 75.5cm (29.7")



43.5cm
(21.1")

56.5cm
(22.2")



PACKAGED DIMENSIONS

L x W x H

Cubage

Weight

Box 1

54 x 53 x 80 cm

0.22 m³

10 kg

20.9 x 20.9 x 31.5 in

7.9 ft³

22.1 lbs

COMMODITY CODE

94033000

* Components drawn in relative scale. Refer to CAD files for accurate drawings.

Resident

Jiro Swivel Chair with Casters - Upholstered

John Tree | 2020

The Jiro Swivel Chair challenges traditional workplace seating by offering maximum comfort with minimalist design elements.

A finely balanced oak construction with a 4 star die-cast base provides ergonomic, dynamic and responsive support in a design that is as comfortable in a home office as it is in the boardroom.

Jiro is offered in a variety of configurations that include: casters, height adjustable gas lift and upholstered seat pads, making Jiro the ultimate seating solution for a variety of dynamic locations.



MATERIALS

Aluminium , Oak Veneer, Upholstered Foam Pad

PRODUCT ENVIRONMENT

Indoor Use Only

CONTRACT USE

Yes

CERTIFICATION

CAL 117-2013, BS 5852 Crib 5*, EN 1021-1 EN 1021-5, FSC Certified Wood

WARRANTY

5 years

COUNTRY OF ORIGIN

Hungary

CODE

JIR001NBCU

JIR001BBCU

JIR001NWCU

JIR001BWCU

PRODUCT

Jiro Swivel Chair - Natural with Black Base

Jiro Swivel Chair - Black with Black Base

Jiro Swivel Chair - Natural with White Base

Jiro Swivel Chair - Black with White Base

CATEGORY

1

2

3

PRODUCT

Maharam Mode / COM

Camira Synergy / Mainline Flax

Kvadrat Hallingdal 65 / Sorensen Envy

UPHOLSTERY USAGE

COM

0.7 m (0.8 yd)

COL

1.2 m² (12.9 ft²)

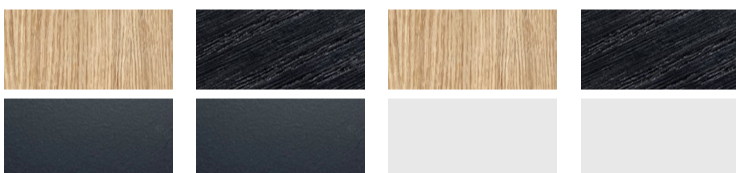
FINISHES

natural/black

black/black

natural/white

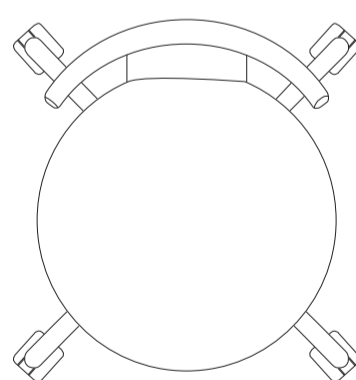
black/white



PRODUCT WEIGHT

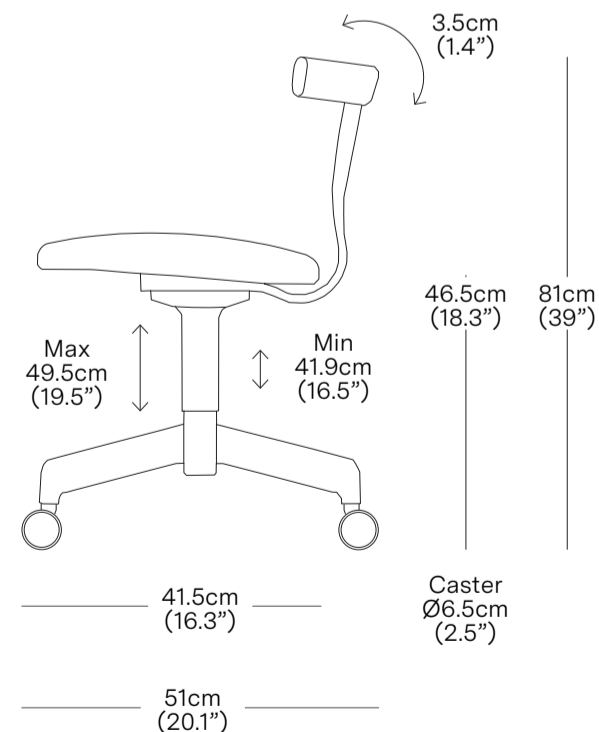
8.0 kg (17.6 lbs)

Diagonal base width 75.5cm (29.7")



43.5cm
(21.1")

56.5cm
(22.2")



Max
49.5cm
(19.5")

Min
41.9cm
(16.5")

46.5cm
(18.3")

81cm
(39")

Caster
Ø6.5cm
(2.5")

51cm
(20.1")

PACKAGED DIMENSIONS

L x W x H

Cubage

Weight

Box 1

53 x 53 x 80 cm

0.22 m³

10.1 kg

20.9 x 20.9 x 31.5 in

7.9 ft³

22.3 lbs

COMMODITY CODE

94033000

* Components drawn in relative scale. Refer to CAD files for accurate drawings.

Resident