

Buster Table Light



Chris Martin | 2018

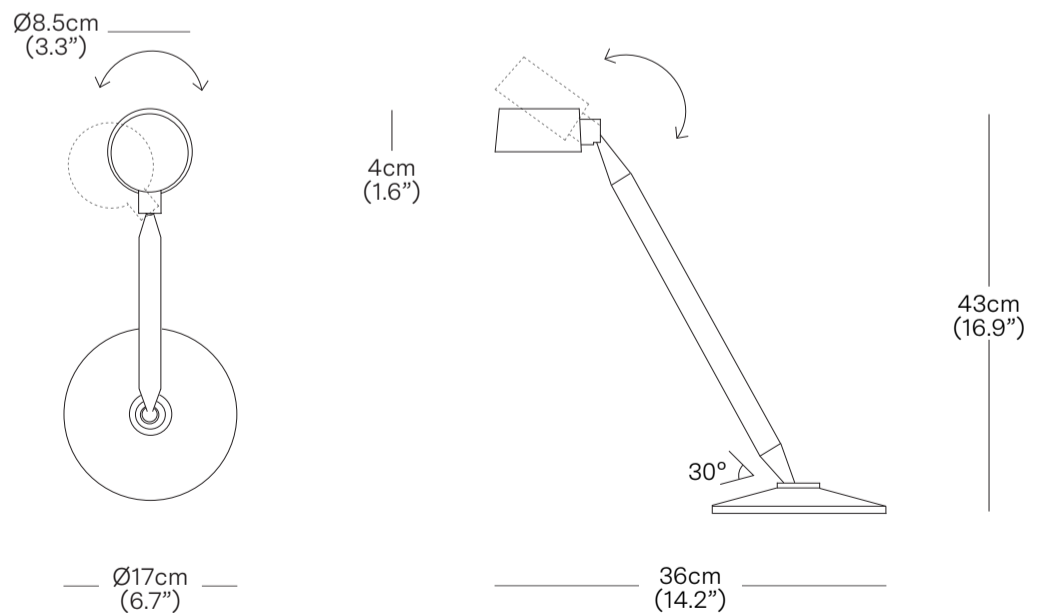
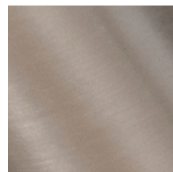
Buster is an elegant and distinguished table light, ideal for both the home and office. Precision engineered, Buster has elegantly machined levers and ball joints that work in harmony to give the user flexibility and directional adjustment. An integrated soft-touch switch allows on/off and dimming of a warm LED light source.

MATERIALS
Nickel Plated Stainless Steel
PRODUCT ENVIRONMENT
Indoor Use Only
CONTRACT USE
Yes
CERTIFICATION
CE
WARRANTY
3 years
COUNTRY OF ORIGIN
China

CODE	PRODUCT
BUS001N	Buster Table Light Nickel

LIGHT SOURCE
Integrated LED
VOLTAGE
24V
POWER USAGE
5W
LUMENS
250lm
COLOUR TEMP
3000k
CRI
95
LIFESPAN
50,000 Hrs
CABLE
250 cm (98.4 in)
DIMMING
Integrated touch dimming switch on the base plate of the light.

FINISHES	PRODUCT WEIGHT
nickel	1.6 kg (3.5 lbs)



PACKAGED DIMENSIONS		
L x W x H	Cubage	Weight
Box 1		
25 x 49 x 26 cm	0.03 m3	2.6 kg
9.8 x 19.3 x 10.2 in	1.1 ft3	5.7 lbs
COMMODITY CODE	9405423990	

* Components drawn in relative scale. Refer to CAD files for accurate drawings.