

Circus 750 Pendant - Black



Resident Studio | 2021

Circus is a remarkable system of interconnected rings which can be arranged in sequence to create striking vertical decoration. Each brass ring projects an elegantly diffused warm LED light source outwards around a 360 degree plane.

A revolutionary plug and play system allows for power sharing between rings and a large range of variations to suit spaces of various shapes and sizes. Circus is a theatrical and truly flexible system ideal for both commercial and residential environments.

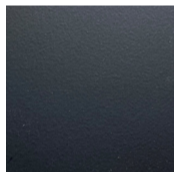
MATERIALS	Aluminium, Acrylic
CEILING ROSE	Matt Black Aluminium
PRODUCT ENVIRONMENT	Indoor Use Only
CONTRACT USE	Yes
CERTIFICATION	CE
WARRANTY	3 years
COUNTRY OF ORIGIN	New Zealand

CODE	PRODUCT
CIR032B	Circus 750 Pendant, 2 Rings Black
CIR033B	Circus 750 Pendant, 3 Rings Black
CIR034B	Circus 750 Pendant, 4 Rings Black

LIGHT SOURCE	Integrated LED
VOLTAGE	24V
POWER USAGE	57.6W Per Ring
LUMENS	6912lm Per Ring
COLOUR TEMP	3000k
CRI	95
LIFESPAN	50,000 Hrs
CABLE	Min 30 cm (12 in) - Max 500 cm (196.9 in)
DIMMING	2-3 Rings is dimmable as standard with a 0-10V receiver. 4 Rings is not dimmable as standard. Alternate dimming options available on request.

FINISHES

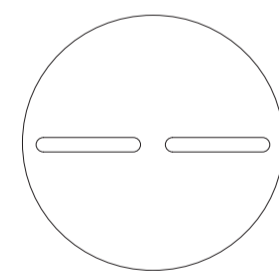
black



PRODUCT WEIGHT

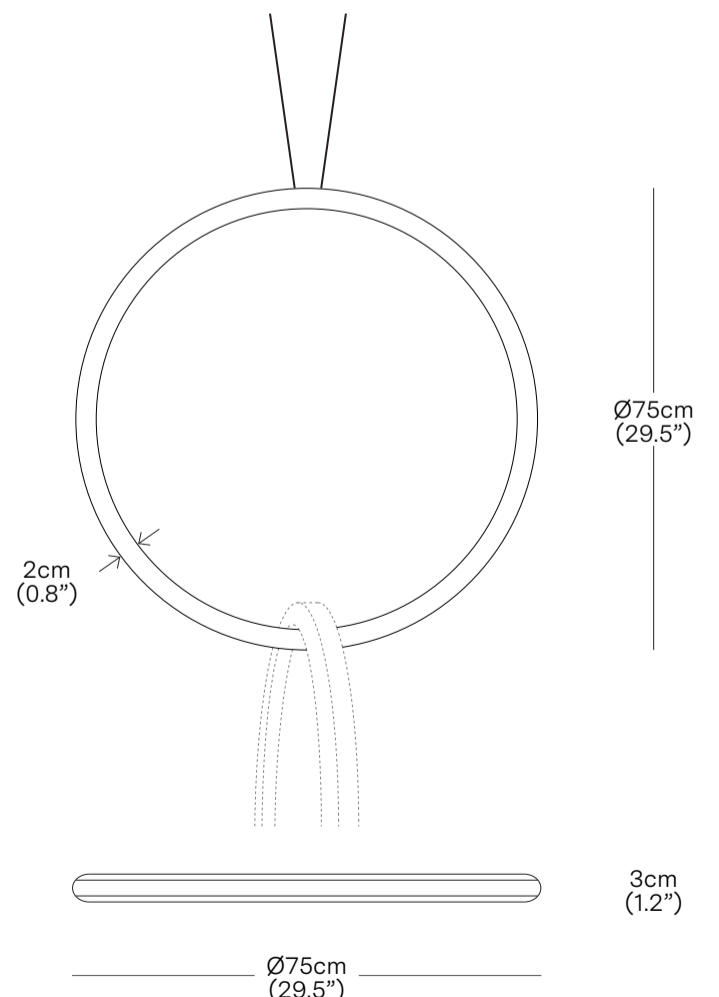
2 Rings: 9 kg (19.8 lbs)
4 Rings: 16.4 kg (36.2 lbs)

PACKAGED DIMENSIONS		
L x W x H	Cubage	Weight
2 Rings		
97 x 87 x 10 cm	0.08 m3	13.2 kg
38.2 x 34.3 x 3.9 in	2.8 ft3	29.1 lbs
4 Rings		
97 x 87 x 30 cm	0.25 m3	26.2 kg
38.2 x 34.3 x 11.8 in	8.8 ft3	57.8 lbs
COMMODITY CODE	9405423990	



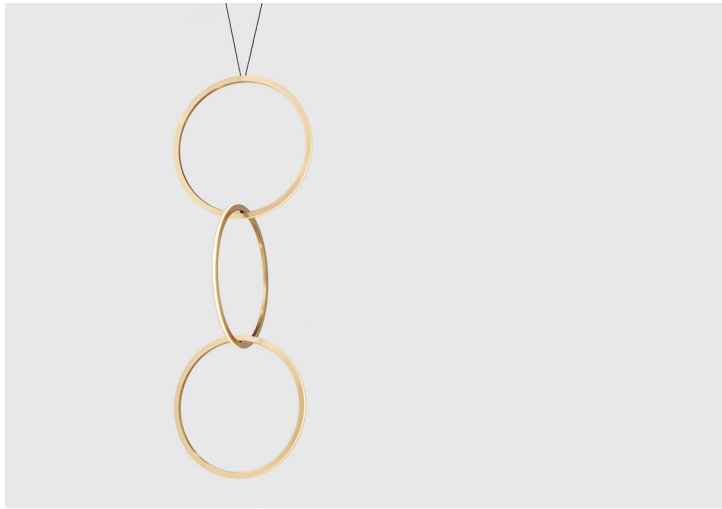
Ø28.5cm
(11.2")

Ceiling Rose



* Components drawn in relative scale. Refer to CAD files for accurate drawings.

Circus 750 Pendant - Brass



Resident Studio | 2017

Circus is a remarkable system of interconnected rings which can be arranged in sequence to create striking vertical decoration. Each brass ring projects an elegantly diffused warm LED light source outwards around a 360 degree plane.

A revolutionary plug and play system allows for power sharing between rings and a large range of variations to suit spaces of various shapes and sizes. Circus is a theatrical and truly flexible system ideal for both commercial and residential environments.

MATERIALS
Brass, Acrylic
CEILING ROSE
Matt Black Aluminium
PRODUCT ENVIRONMENT
Indoor Use Only
CONTRACT USE
Yes
CERTIFICATION
CE
WARRANTY
3 years
COUNTRY OF ORIGIN
New Zealand

CODE	PRODUCT
CIR032BR	Circus 750 Pendant, 2 Rings Brass
CIR033BR	Circus 750 Pendant, 3 Rings Brass
CIR034BR	Circus 750 Pendant, 4 Rings Brass

LIGHT SOURCE
Integrated LED
VOLTAGE
24V
POWER USAGE
240W
LUMENS
6912lm Per Ring
COLOUR TEMP
3000k
CRI
95
LIFESPAN
50,000 Hrs
CABLE
Min 30 cm (12 in) - Max 500 cm (196.9 in)
DIMMING
2-3 Rings is dimmable as standard with a 0-10V receiver. 4 Rings is not dimmable as standard. Alternate dimming options available on request.

FINISHES

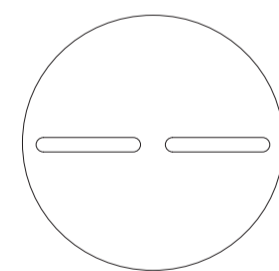
brass



PRODUCT WEIGHT

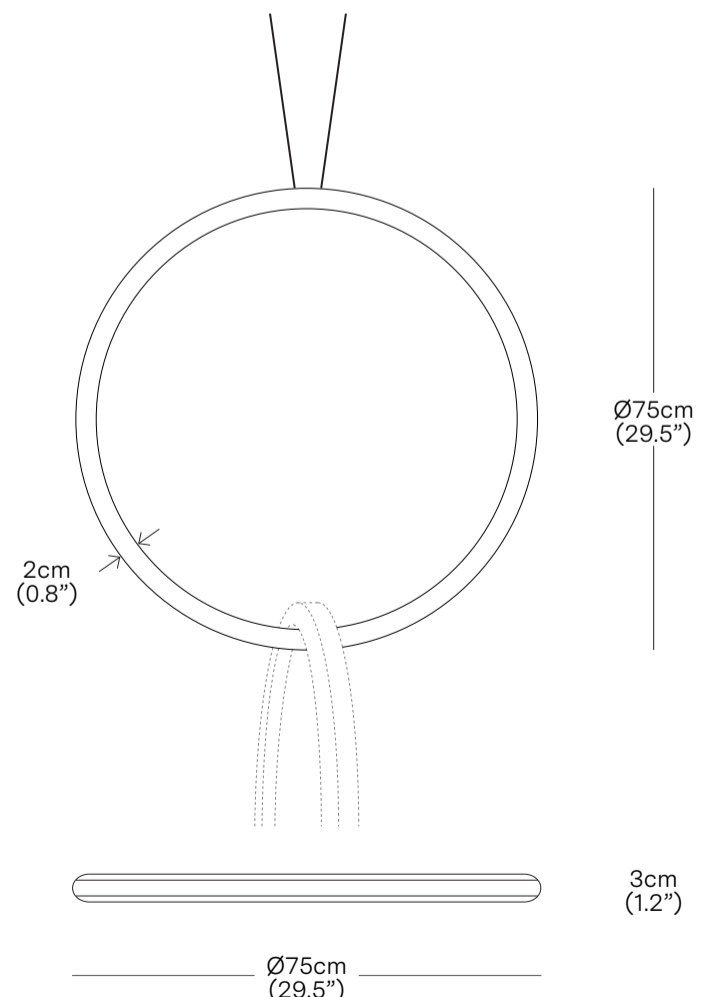
2 Rings: 9.5 kg (20.9 lbs)
4 Rings: 16.9 kg (37.3 lbs)

PACKAGED DIMENSIONS		
L x W x H	Cubage	Weight
2 Rings		
97 x 87 x 10 cm	0.08 m3	13.7 kg
38.2 x 34.3 x 3.9 in	2.8 ft3	30.2 lbs
4 Rings		
97 x 87 x 30 cm	0.25 m3	26.7 kg
38.2 x 34.3 x 11.8 in	8.8 ft3	58.9 lbs
COMMODITY CODE	9405423990	



Ø28.5cm
(11.2")

Ceiling Rose



* Components drawn in relative scale. Refer to CAD files for accurate drawings.